

30" Single Wall Oven

800 Series – Stainless Steel HBL8453UC



BOSCH
Invented for life



HBL8453UC
Stainless Steel

Also available in:

Black HBL8463UC
Black Stainless HBL8443UC
Steel

Using Genuine European Convection Roast, you can create a juicy, tender roast up to 25% faster than non-convection modes.

Features & Benefits

Get the oven up to temperature in less time using Fast Preheat™, so meals are ready sooner.

Whether cooking poultry, beef or pork, use the Temperature Meat Probe to monitor the internal temperature and get perfect results every time.

Serve dinner on time with tools like an oven timer, delay cook feature, and digital kitchen timer.

Oven is equipped with a self-cleaning cycle that easily cleans itself via 2, 3, and 4 hour cycle options.

Download the Home Connect app to remotely monitor and control your Bosch wall oven with your smart phone or tablet.

General Properties

| | |
|------------------------------|--|
| Home Connect™ (WiFi enabled) | Yes |
| Oven modes | Bake, Variable Broil (hi & low), Roast, Warm, Sabbath, Proof Dough, Convection Bake, Convection Broil, Convection Roast, Pizza, Multi Rack Genuine European Convection, Convection Conversion, Temperature Probe, Fast Preheat |

| | |
|-------------------|------------|
| Cleaning type | Self Clean |
| Telescopic rack | 1 |
| Illumination type | Halogen |
| Interior lights | 2 |

Oven Performance

| | |
|-------------------------------|-----------------|
| Bake / broil element wattages | 2,400 / 3,800 W |
| Convection element wattages | 2,000 W |

Technical Details

| | |
|------------------------|---------------------------|
| Watts (W) | 6,325 W |
| Circuit breaker (A) | 30 A |
| Volts (V) | 240 / 208 V |
| Frequency (Hz) | 60 Hz |
| Power cord length (in) | 50" |
| Plug type | Fixed Connection, No Plug |
| Energy source | Electric |



Dimensions & Weight

| | |
|---|-----------------------------------|
| Overall appliance dimensions (HxWxD) (in) | 29" x 29 3/4" x 24 1/2" |
| Required cutout size – Standard (HxWxD) (in) | 27" – 28 5/8" x 28 1/2" x 23 1/2" |
| Required cutout size – Flush (HxWxD) (in) | 29 1/8" x 30" x 24 1/2" |
| Oven cavity size (cu. ft.) | 4.6 |
| Overall oven interior dimensions (HxWxD) (in) | 17 13/16" x 24 1/8" x 18" |
| Usable oven interior dimensions (HxWxD) (in) | 12 1/4" x 23 1/4" x 15 1/4" |
| Net weight (lbs) | 149 lbs |

Accessories – Included

| | |
|----------|---|
| Included | 1 Telescopic and 2 Standard Oven Racks, Temperature Probe |
|----------|---|

Accessories – Optional



HEZTR301
30" Telescopic Rack



† To be fully ADA compliant, these units must be installed according to ADA guidelines. Please check current ADA requirements for guidance on installation.

Accessories: To purchase Bosch accessories, cleaners & parts please visit www.bosch-home.com/us/store or call 1-800-944-2904 (Mon to Fri 5 am to 6 pm PST, Sat 6 am to 3 pm PST).

Notes: All height, width and depth dimensions are shown in inches. BSH reserves the absolute and unrestricted right to change product materials and specifications, at any time, without notice. Consult the product's installation instructions for final dimensional data and other details prior to making cutout.

Warranties: Please see Use & Care manual or Bosch website for statement of limited warranty.

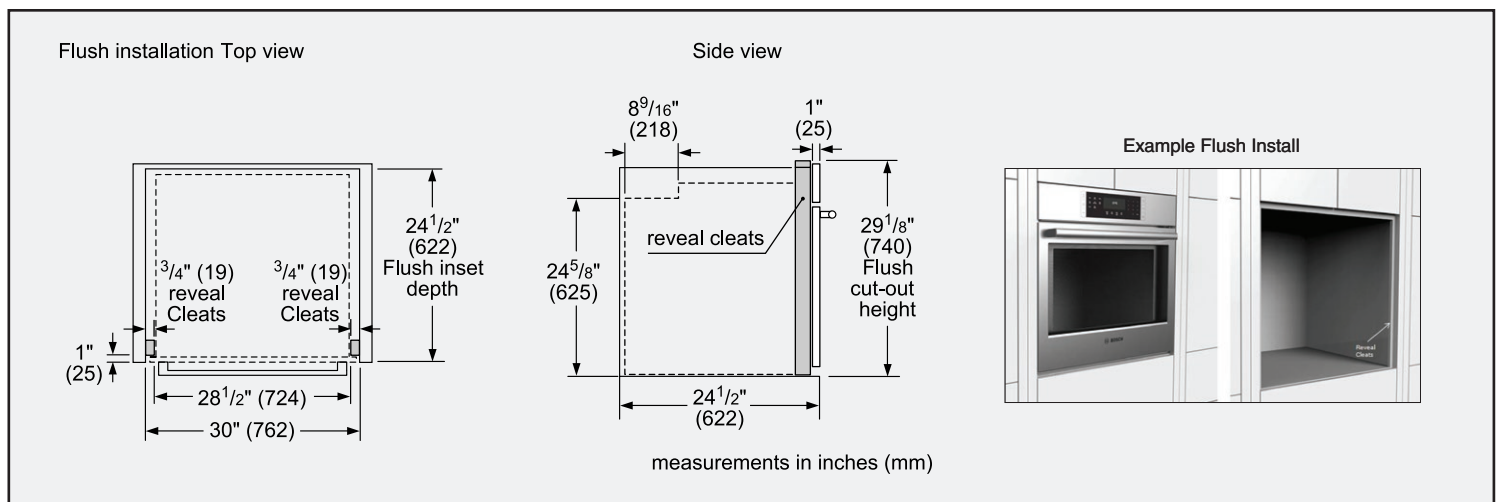
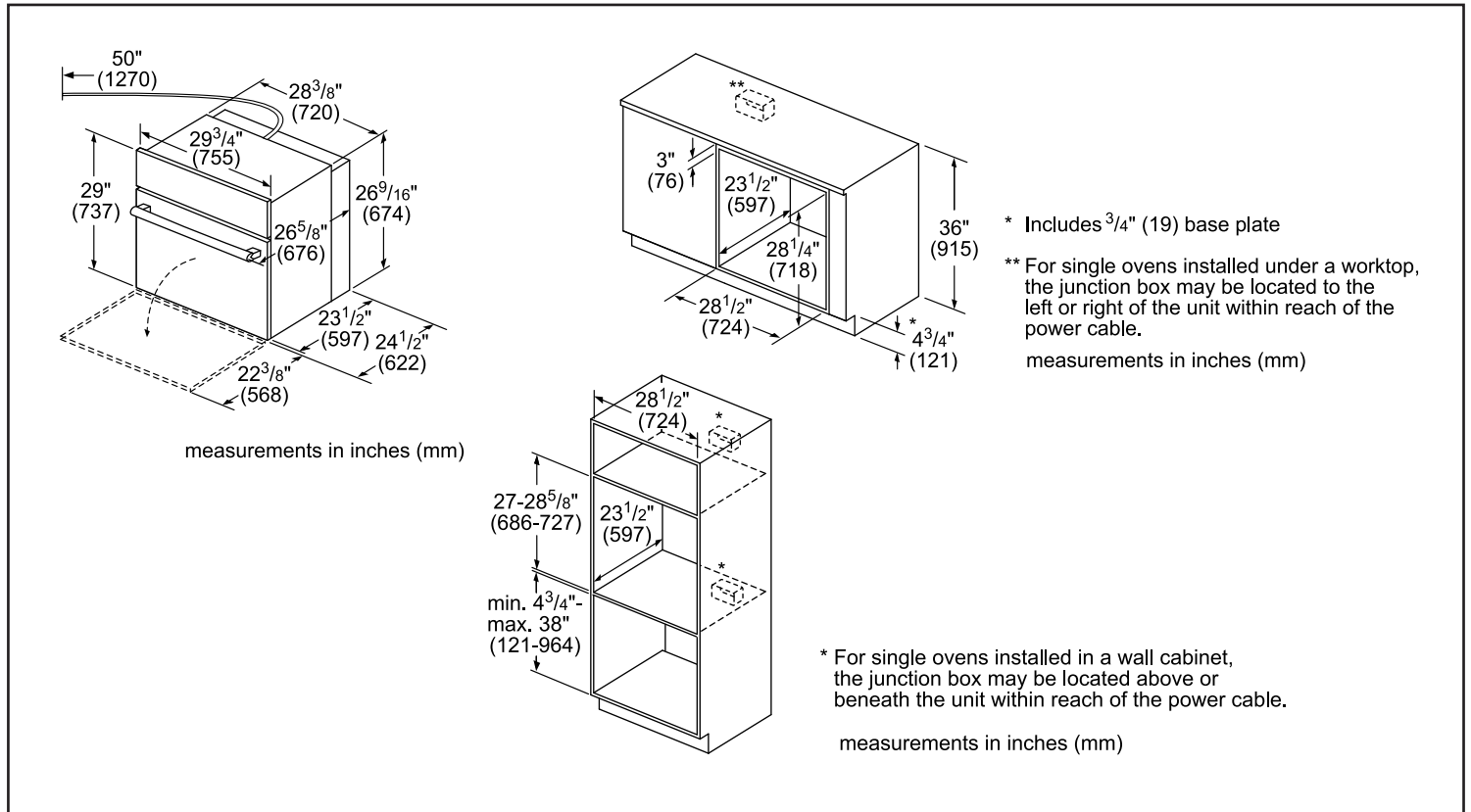
For more information on our entire line of products, go to www.bosch-home.com/us or call 1-800-944-2904

© BSH Home Appliances Corporation. All rights reserved. Bosch is a registered trademark of Robert Bosch GmbH.

30" Single Wall Oven

800 Series – Stainless Steel HBL8453UC

Installation Details



Accessories: To purchase Bosch accessories, cleaners & parts please visit www.bosch-home.com/us/store or call 1-800-944-2904 (Mon to Fri 5 am to 6 pm PST, Sat 6 am to 3 pm PST).

Notes: All height, width and depth dimensions are shown in inches. BSH reserves the absolute and unrestricted right to change product materials and specifications, at any time, without notice. Consult the product's installation instructions for final dimensional data and other details prior to making cutout.

Warranties: Please see Use & Care manual or Bosch website for statement of limited warranty.

For more information on our entire line of products, go to www.bosch-home.com/us or call 1-800-944-2904

© BSH Home Appliances Corporation. All rights reserved. Bosch is a registered trademark of Robert Bosch GmbH.

30" Single Wall Oven

800 Series – Stainless Steel HBL8453UC



BOSCH
Invented for life

Installation Details

| | |
|--|---|
| <p>Standard installation 30" single oven over storage or warming drawer</p> <p>* Wall oven junction box may be located above or to the right or left of the unit within reach of the power cable.</p> <p>** Electrical hook-up may be located below (depending on space) or next to the drawer within reach of the power cable.</p> <p>minimum $\frac{3}{4}$" (18) required between cut-outs</p> <p>measurements in inches (mm)</p> | <p>Flush installation Single oven over storage or warming drawer</p> <p>Side view</p> <p>Cleats</p> <p>1" (25)</p> <p>29 $\frac{1}{8}$" (740) flush cut-out height</p> <p>Single wall oven</p> <p>*IMPORTANT: Base has to be able to support the weight of the oven. Please check oven manual for minimum weight requirements.</p> <p>9 $\frac{9}{16}$" (243) flush cut-out height</p> <p>minimum $\frac{1}{2}$" (13) required between cut-outs*</p> <p>Warming drawer</p> <p>24 $\frac{1}{2}$" (622)</p> <p>measurements in inches (mm)</p> |
| <p>Standard installation 30" steam convection oven over single oven***</p> <p>* Junction box may be located above or next to the unit within reach of the power cable.</p> <p>** Junction box may be located below (depending on space) or next to the unit within the reach of the power cable.</p> <p>*** Most combinations available as combo oven (one cut-out, one electrical hook-up).</p> <p>Minimum dimension between cut-outs:</p> <ul style="list-style-type: none"> • 1" (25) for wall oven cut-out of 28 $\frac{5}{8}$" • 2 $\frac{5}{8}$" (67) for wall oven cut-out of 27" <p>measurements in inches (mm)</p> | <p>Flush installation Steam convection oven over single oven**</p> <p>Side view</p> <p>Cleats</p> <p>1" (25)</p> <p>20 $\frac{1}{8}$" (511) flush cut-out height</p> <p>Steam convection oven</p> <p>*** Flush installation requires a base plate underneath the body: 30" products – Dimensions: H $\frac{5}{16}$" (8) x W 28 $\frac{1}{2}$" (724) x D 22 $\frac{1}{2}$" (571)</p> <p>minimum $\frac{1}{2}$" (13) required between cut-outs*</p> <p>Wall oven</p> <p>29 $\frac{1}{8}$" (740) flush cut-out height</p> <p>*IMPORTANT: Base has to be able to support the weight of the oven. Please check oven manual for minimum weight requirements.</p> <p>** Most combinations available as combo oven (one cut-out, one electrical hook-up).</p> <p>24 $\frac{1}{2}$" (622)</p> <p>measurements in inches (mm)</p> |

Accessories: To purchase Bosch accessories, cleaners & parts please visit www.bosch-home.com/us/store or call 1-800-944-2904 (Mon to Fri 5 am to 6 pm PST, Sat 6 am to 3 pm PST).

Notes: All height, width and depth dimensions are shown in inches. BSH reserves the absolute and unrestricted right to change product materials and specifications, at any time, without notice. Consult the product's installation instructions for final dimensional data and other details prior to making cutout.

Warranties: Please see Use & Care manual or Bosch website for statement of limited warranty.

For more information on our entire line of products, go to www.bosch-home.com/us or call 1-800-944-2904

© BSH Home Appliances Corporation. All rights reserved. Bosch is a registered trademark of Robert Bosch GmbH.